



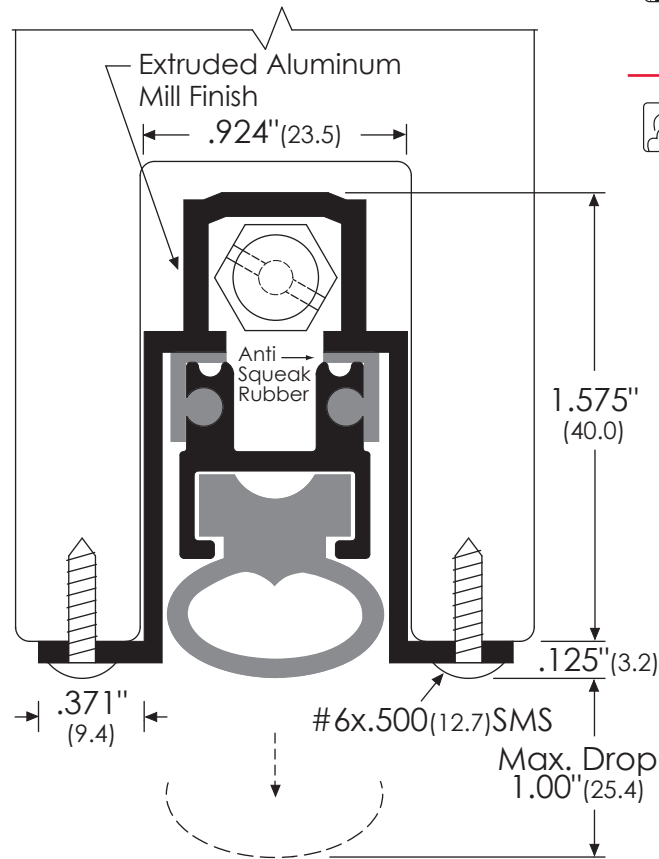


**FIRE RATING**

-  UL listed
-  ITS Warnock Hersey listed
-  10C Classified

**SMOKE PERFORMANCE**

 The rubber seal in this gasket provides protection from smoke infiltration in accordance with provisions of NFPA 101 Life Safety Code and NFPA 80 Standard for Fire Doors and Other Opening Protectives



**ANSI/BHMA**

**Legend:**

AA = Clear Anodized  
STST = Stainless Steel

#364AA  
#364STST

R3B324  
R5B324



415 Concord Avenue tel: 718.585.3230  
Bronx, NY 10455 fax: 718.292.2243  
email: zero@zerointernational.com  
web site: www.zerointernational.com

**Part No:**  
364

**Notes:**

**Part Description:**

Automatic Door Bottom  
- Mortised / Heavy Duty

**Provided By:**

**Customer Name:**

**Job No:**

**Date:**